

PRODUCT SHEET:

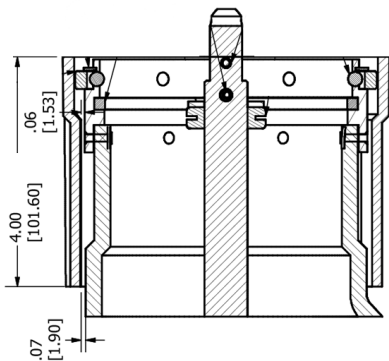
RAMPTECH LAVATORY WYE DRAIN COUPLINGS



**Everything you want in a coupling.
Including leak-proof design.**

RAMPTECH[®] Lavatory Wye Drain Couplings are engineered for ease of use and highly reliable performance...without spillage or leakage. Made of impact-resistant and non-porous composite that is 40% lighter than aluminum wye drain couplings, these couplings make it fast and simple to remove the lavatory drain plug or “donut” from the aircraft lavatory drain nipple – allowing waste to drain at full flow into the lavatory service truck while eliminating ramp spills to ensure rapid waste removal. Further productivity and performance are provided by a high-visibility yellow collar.

RAMPTECH[®] Lavatory Wye Drain Couplings are designed for a leak-proof connection on all standard 4 inch drain nipples and they also feature a stainless steel cam ring as well as a stainless steel retaining washer, snap ring and control shaft for extra corrosion resistance and superior durability.



FEATURES

- ✓ Eliminates ramp spillage and allows full flow for rapid waste removal
- ✓ Utilizes a stainless steel cam ring, retaining washer, and snap ring for added corrosion resistance and durability
- ✓ Durable, impact-resistant, non-porous composite material
- ✓ 40% lighter than aluminum Wye Drain Coupling
- ✓ Distinctive yellow colored collar for high visibility
- ✓ Provides leak-proof connection on all standard 4 inch drain nipples
- ✓ Stainless steel control shaft to provide corrosion resistance and long life
- ✓ Hose bib connection for all standard 4 inch lavatory service hoses, Part Number: 383331
- ✓ Stainless steel outlet nipple adapter for quick-change operation: Part Number: 383333



Anticipating needs, meeting demands. Reducing costs.



Sage Parts
30 Hub Drive, Melville, NY 11747
+1.877.SAGE.877 | +1.631.501.1300 Tel
+1.631.501.1619 Fax
info@sageparts.com

www.sageparts.com