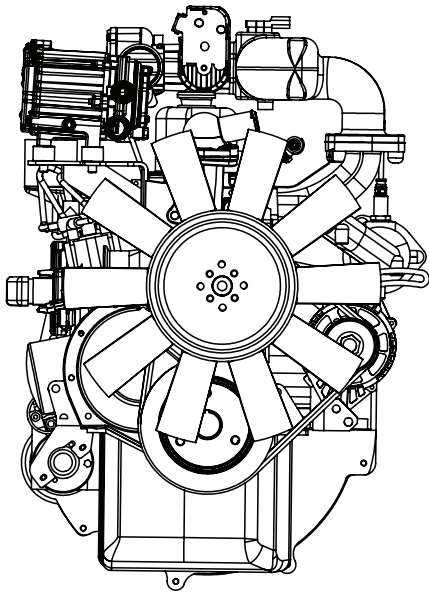


PRODUCT SHEET:

GENERAL MOTORS 3.0L ENGINE



FEATURES

- ✓ Fuel-flexible: gasoline, LP, or NG
- ✓ High silicon content pistons for improved durability and noise reduction
- ✓ Sintered powdered-metal exhaust valve seat inserts for enhanced durability
- ✓ World-class engine sealing system for superior leak protection
- ✓ Integral harmonic balancer and crankshaft pulley for easier accessory drive dress
- ✓ High Energy Ignition (HEI) distributor and coil standard
- ✓ Intake and exhaust manifolds standard
- ✓ Common rear face to GM Powertrain industrial engines for easy hookup with housing

GENERAL MOTORS 3.0L

30-35 kW_e
40-47 HP

Power and Performance
Emission Certified
Fuel Flexible

ENGINE SPECIFICATIONS

| | |
|-------------------|--|
| Displacement | 181 cid (2966.59 cc) |
| Bore X Stroke | 4.00 in X 3.60 in 101.6mm X 91.44mm |
| Compression Ratio | 8.2:1, 9.25:1, or 10.5:1 |
| Fuel Types | NG, LP, Gasoline |
| KW/HP | 35/47 @ 1,800 RPM 30/40 @ 1,500 RPM |

OPTIONS

- ✓ Sequential Electronic Fuel Injection (SEFI) for gasoline
- ✓ Fuel and emission control system that meets Tier II EPA and CARB emission regulations for LSI engines
- ✓ SAE flywheel housings and flywheels
- ✓ Additional crankshaft pulleys
- ✓ Instrument panel with auto shutdown devices
- ✓ Sheet metal enclosures
- ✓ Cooling fans
- ✓ Radiator
- ✓ Electronic governors
- ✓ Dry-type industrial air cleaners (safety element air cleaners available)



Anticipating needs, meeting demands. Reducing cost.

Sage Parts
30 Hub Drive, Melville, NY 11747
+1.877.SAGE.877 | +1.631.501.1300 Tel
+1.631.501.1619 Fax
info@sageparts.com

www.sageparts.com