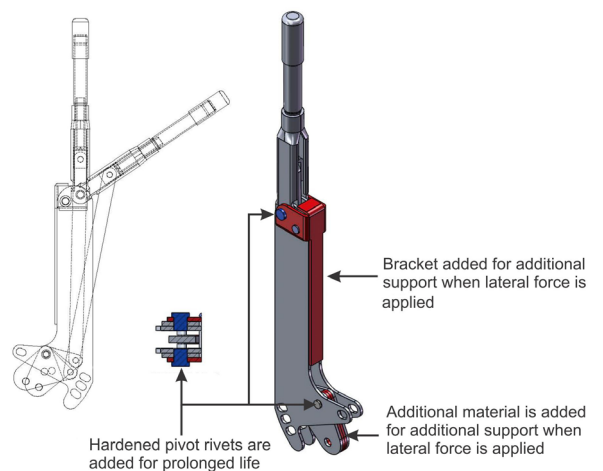


# PRODUCT SHEET:

## RAMPTECH Heavy Duty GSE E-Brake Lever



The RampTech E-Brake Lever recognizes a new standard for quality. We listened to users in the field and engineered a new and improved version of the Orscheln type lever originally used on the Tug MA. This new RampTech lever is designed for GSE and the ramp and will last longer than the original. Added strength was developed for enhanced improvement and performance.

The new RampTech E-Brake Lever includes design improvements that focused on stress areas to enhance product life and performance with no change to its form, fit, or function, and is a direct replacement with no modifications needed.

- ✓ A reinforcing bracket was added for additional lateral support
- ✓ A mounting anchor spacer was added for durability
- ✓ Improved riveting was added to endure the most aggressive environment
- ✓ Improved overall design for longevity and reduced product life cycle cost

Part Number 96688. This part replaces Tug T6-8005-101, Harlan 27002, or Orscheln 1041805 and 02182900, and many other OEM part numbers. Contact Sage Parts for additional application and cross reference information. Why settle for less?



Anticipating needs, meeting demands. Reducing costs.



Sage Parts  
30 Hub Drive, Melville, NY 11747  
+1.877.SAGE.877 | +1.631.501.1300 Tel  
+1.631.501.1619 Fax  
info@sageparts.com

[www.sageparts.com](http://www.sageparts.com)